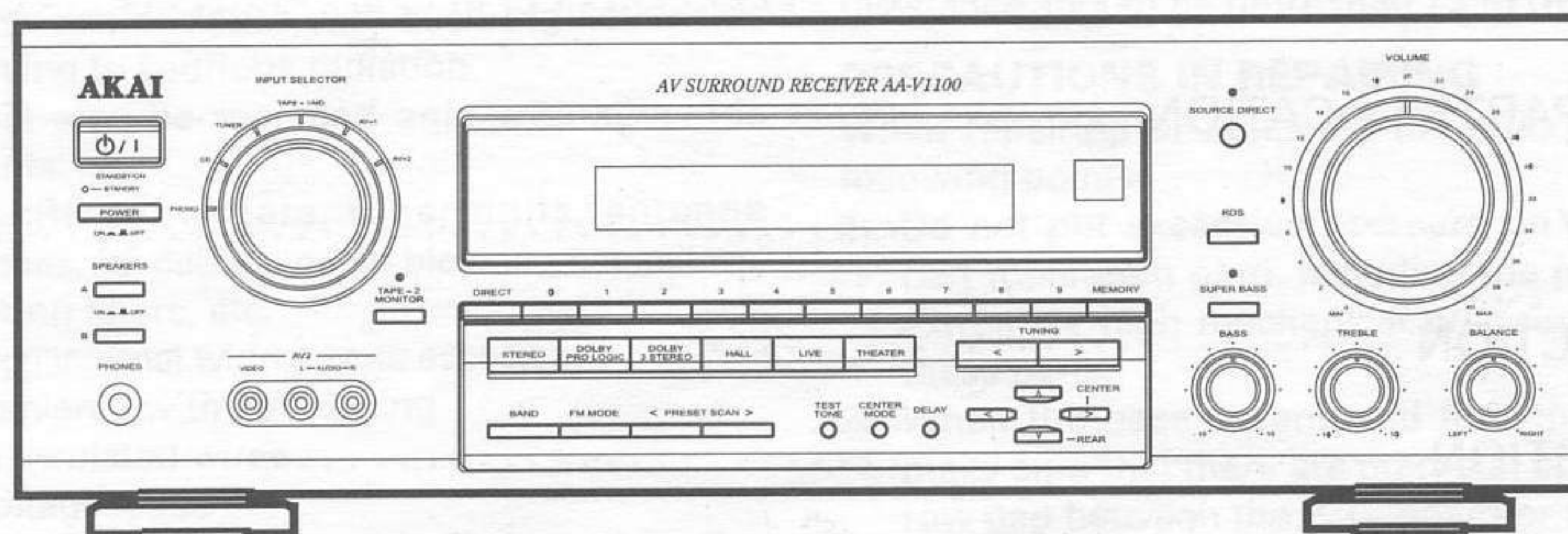


AKAI SERVICE MANUAL



AV SURROUND RECEIVER

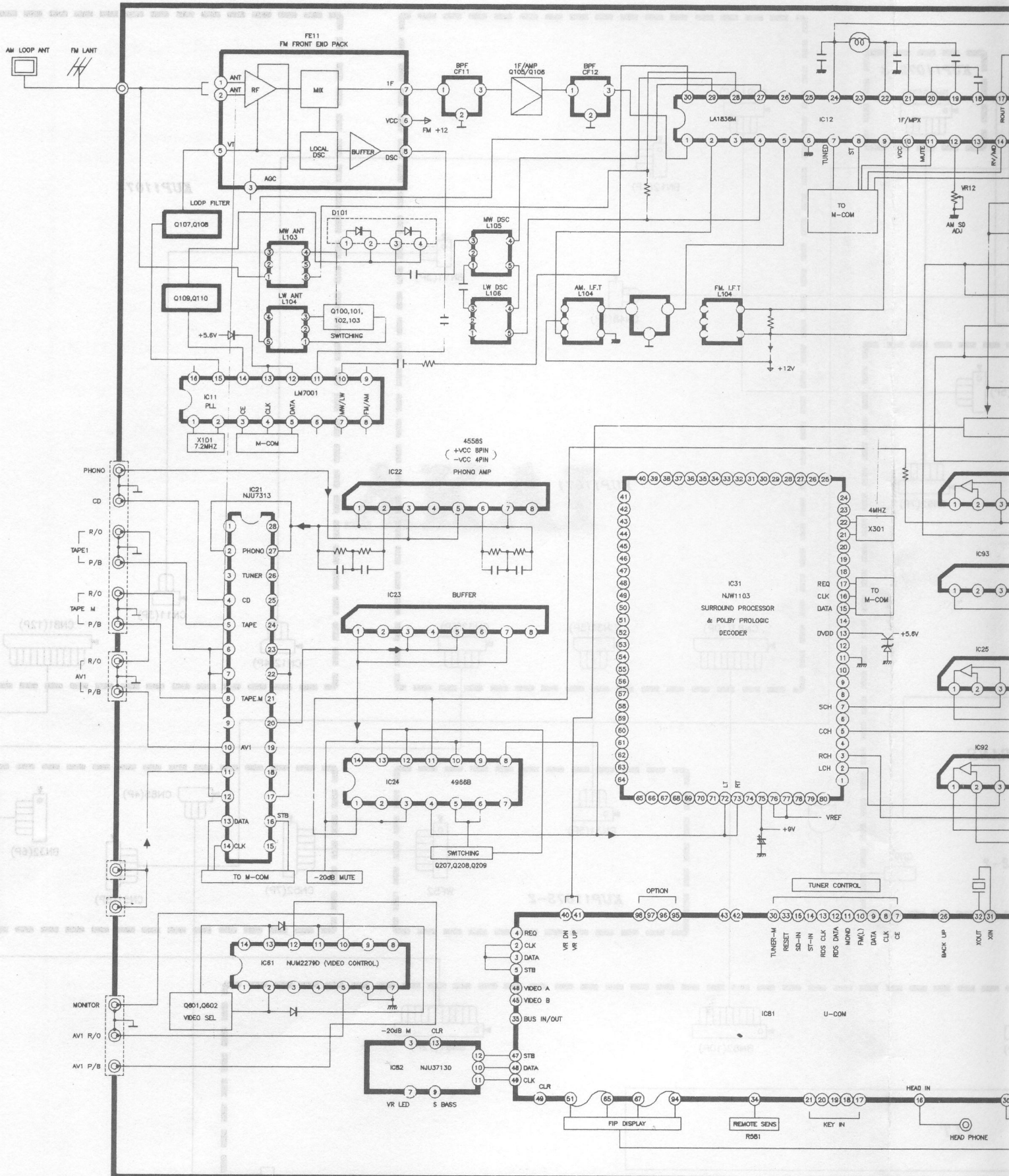
SPECIFICATIONS

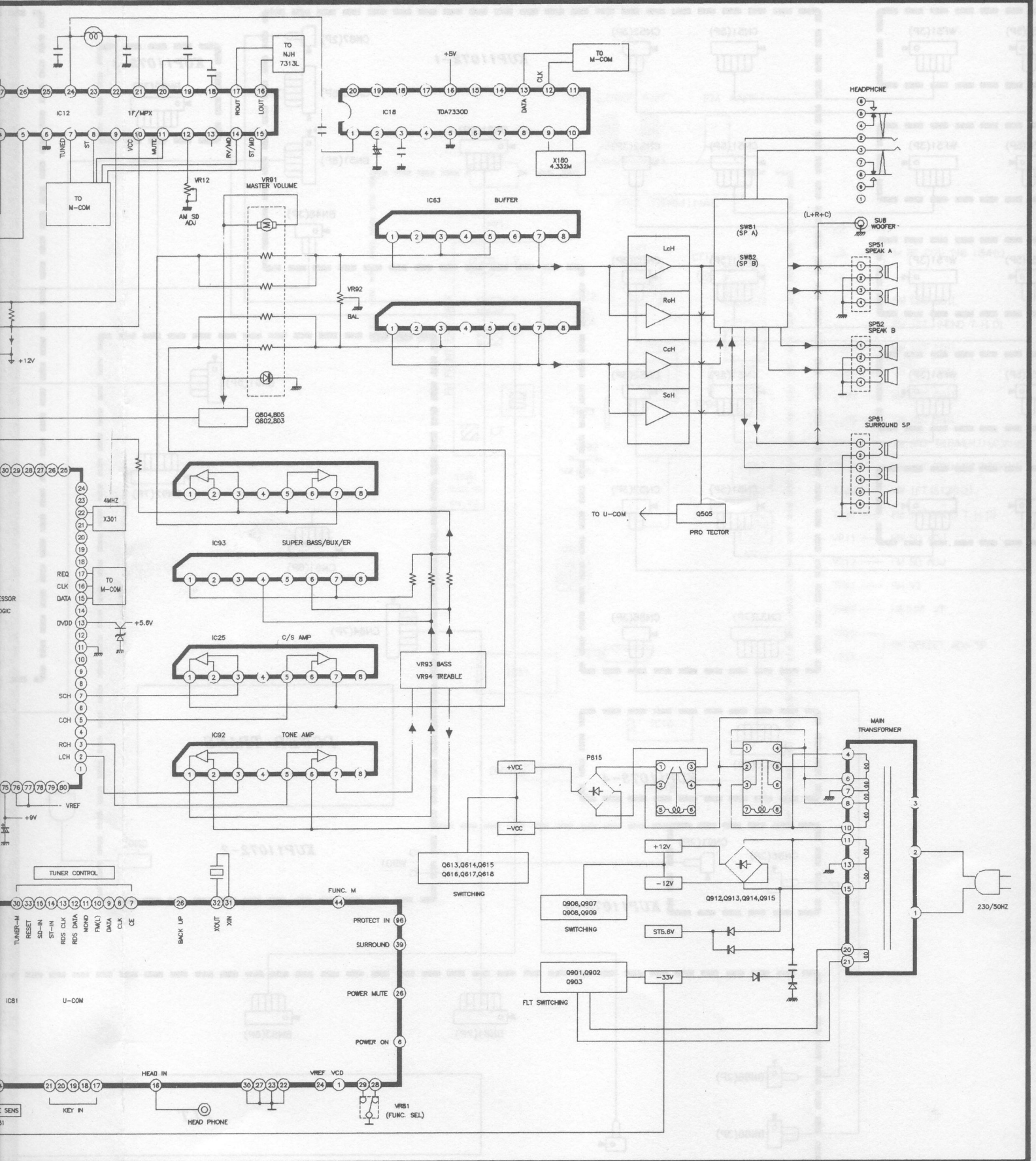
MODEL **AA-V1100**

| AMPLIFIER | TUNER |
|---|--|
| <p>1 When SOURCE DIRECT is "ON" Sensitivity and Impedance PHONO : 2.5mV/47kΩ CD, TAPE, AV 1/2 : 200mV/22kΩ Frequency Response PHONO(RIAA STANDARD CURVE) :50Hz~15kHz (\pm 1dB) CD, TAPE, AV 1/2 : 10Hz~100kHz S/N Ratio PHONO(IHF-A) : 70dB CD, TAPE, AV(IHF-A) : 95dB Power Output 50W, 1kHz, 8ohm, 0.08% Tone control Treble : \pm 10dB (10kHz) Bass : \pm 10dB (100Hz)</p> <p>2 When SURROUND is "ON" (4 ch surround mode) Power Output (at 1ch Drive) Front : 40+40W (1kHz, 0.5% THD, 8ohm) Rear : 20+20W (1kHz, 0.9% THD, 4ohm)</p> <p>3 When Dolby Pro Logic is "ON" Power Output (at 1ch Drive) Front : 40+40W (1kHz, 0.5% THD, 8ohm) Center : 40W (1kHz, 0.5% THD, 8ohm) Rear : 20+20W (1kHz, 0.9% THD, 4ohm)</p> | <p>1 FM SECTION Frequency Range : 87.50MHz to 108.00MHz (50kHz step) Sensitivity (S/N 30dB) : 3.0μV Total Harmonic Distortion MONO : 0.3% STEREO : 0.5% Signal to Noise Ratio MONO : 70dB STEREO : 65dB Frequency Response : 20Hz~15kHz Image Rejection : 60dB Stereo Separation (1kHz) : 30dB</p> <p>2 MW SECTION Frequency Range : 522kHz to 1620kHz (9kHz step) Sensitivity (S/N 30dB) : 55dB Total harmonic Distortion : 1.5% Signal to noise Ratio : 40dB Image Rejection : 35dB</p> <p>3 LW SECTION Frequency Range : 146kHz to 290kHz (1kHz step) Sensitivity (S/N 20dB) : 60dB</p> |
| GENERAL | Standard accessories |
| Power consumption : 200W Power supply : AC 230V, 50Hz Dimension (W \times H \times D) : 430 \times 142 \times 355mm Weight : 7.6kg (net) | Remote control unit1 Operator's manual1 |

* For improvement purposes, specifications and design are subject to change without notice.

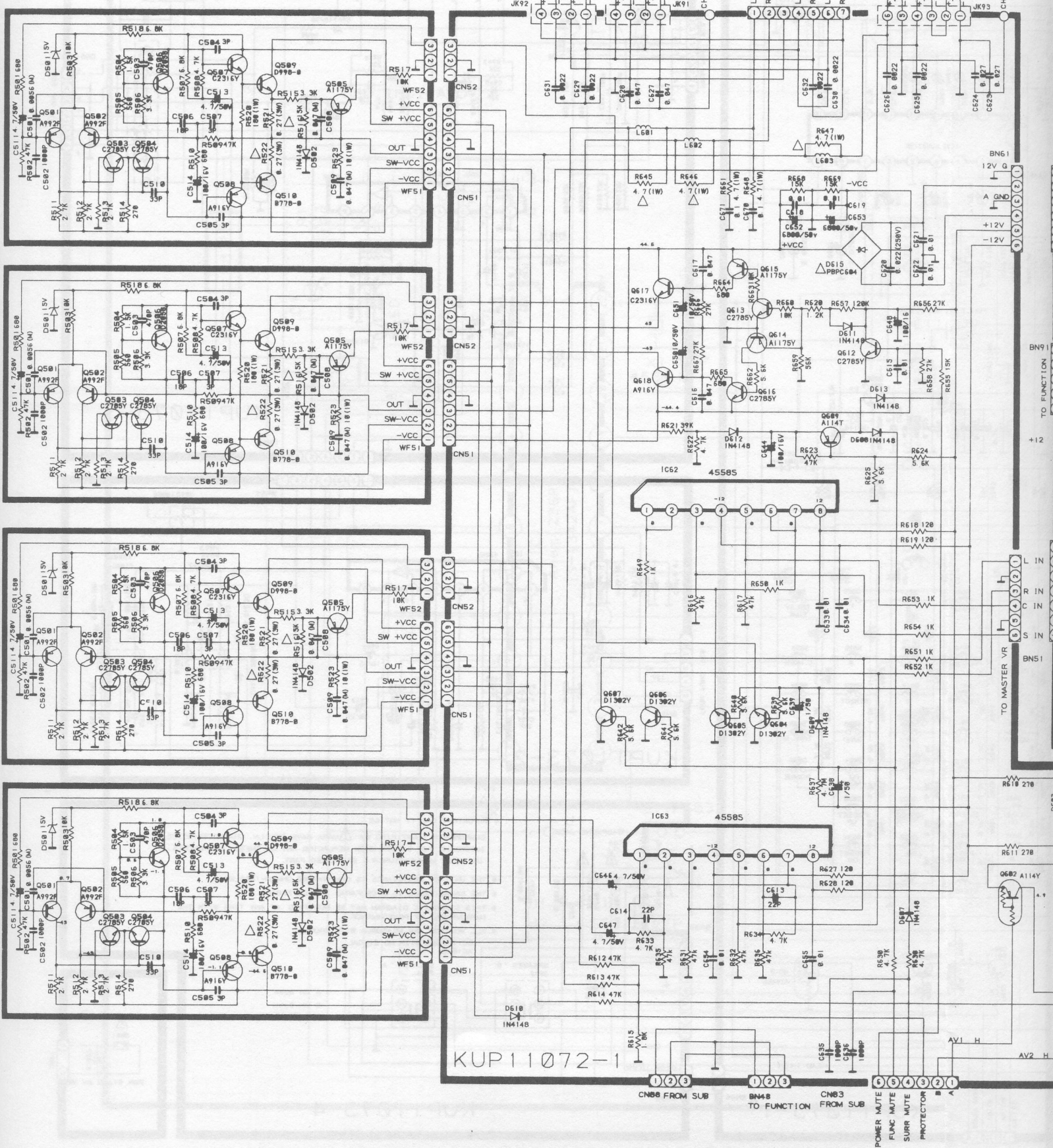
BLOCK DIAGRAM





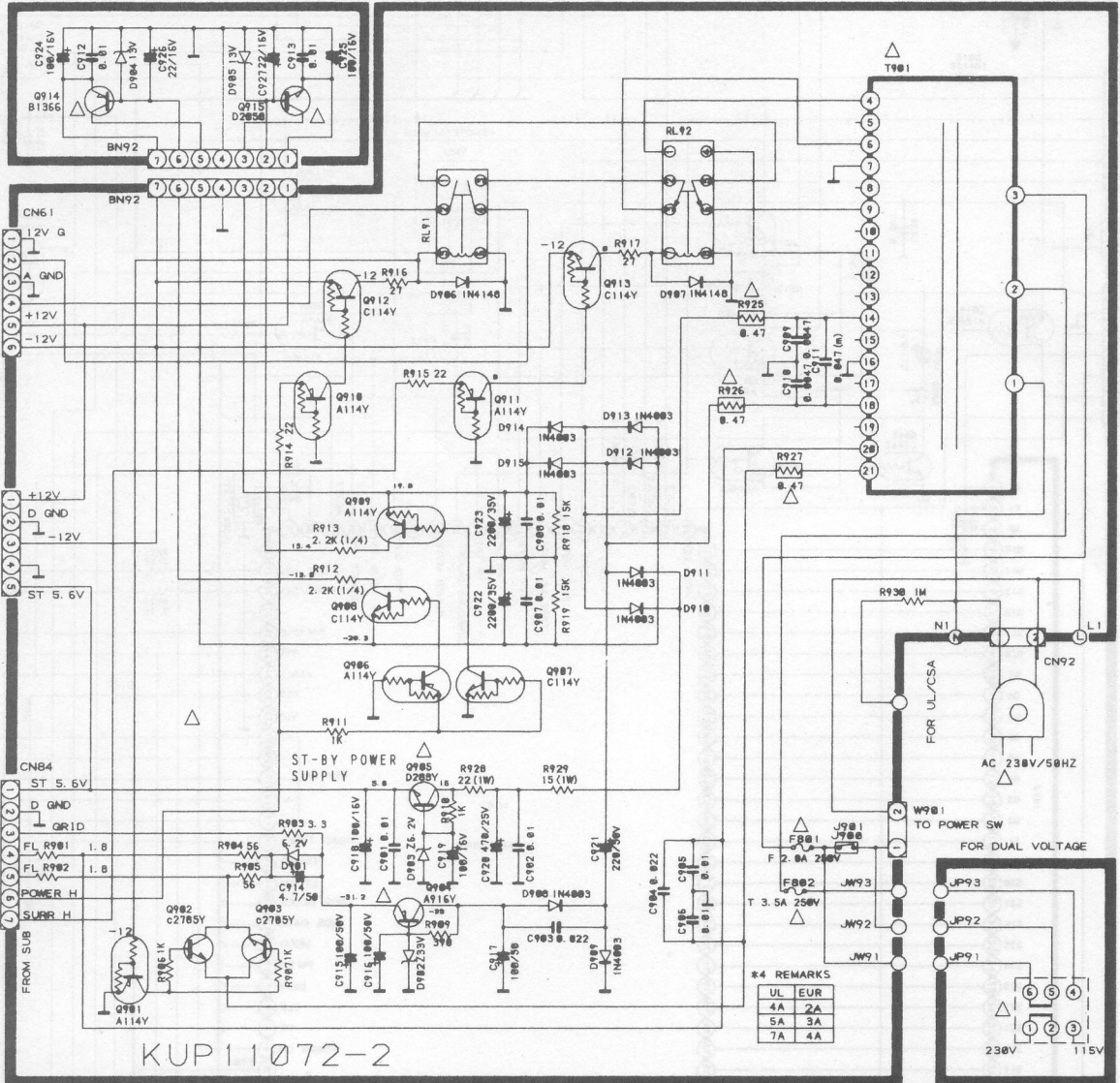
SCHEMATIC DIAGRAM

KUP11075Z

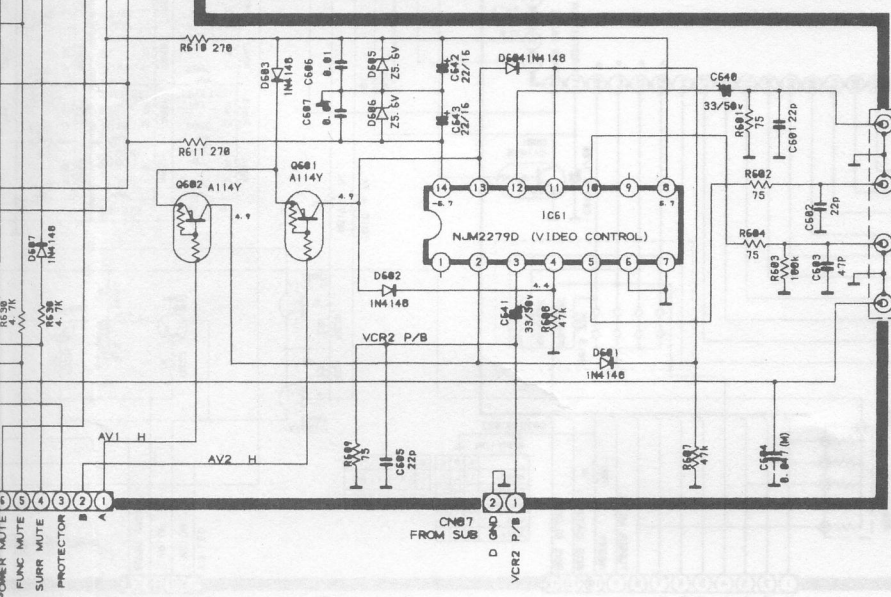


KUP11072-1

KUP11072-3



KUP11072-2



KUP11072-4

** IMPORTANT SAFETY NOTICE. COMPONENTS IDENTIFIED BY Δ MARK HAVE SPECIAL CHARACTERISTICS. IMPORTANT FOR SAFETY, WHEN REPLACING ANY OF THESE COMPONENTS USE ONLY MANUFACTURER'S SPECIFIED PARTS.

** THE UNIT OF RESISTANCE IS OHM.

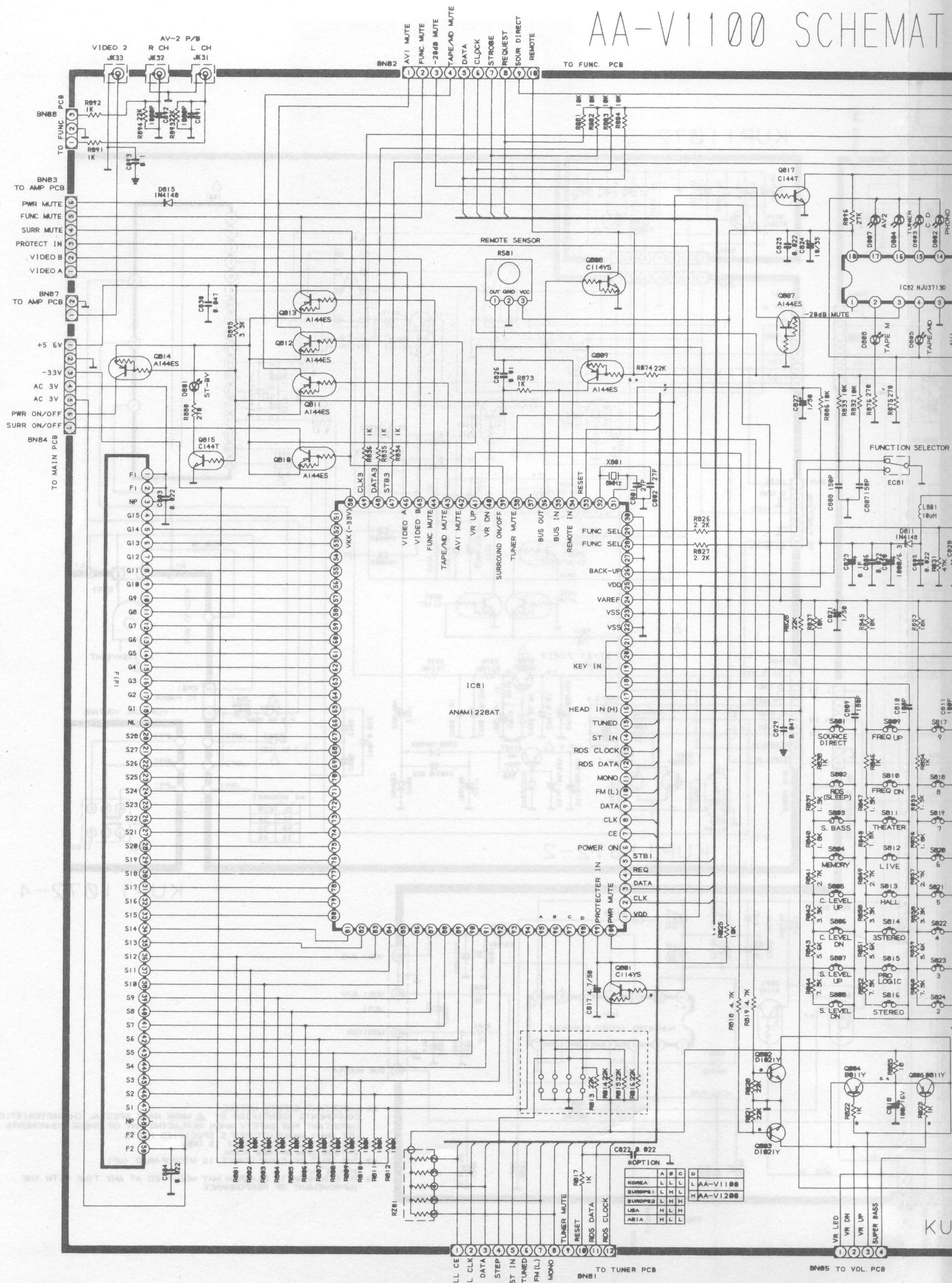
** K=1000 OHM, M=1000 KOHM.

** THE UNIT OF CAPACITANCE IS MICROFARAD (μ F).

** OF=10⁻⁶F.

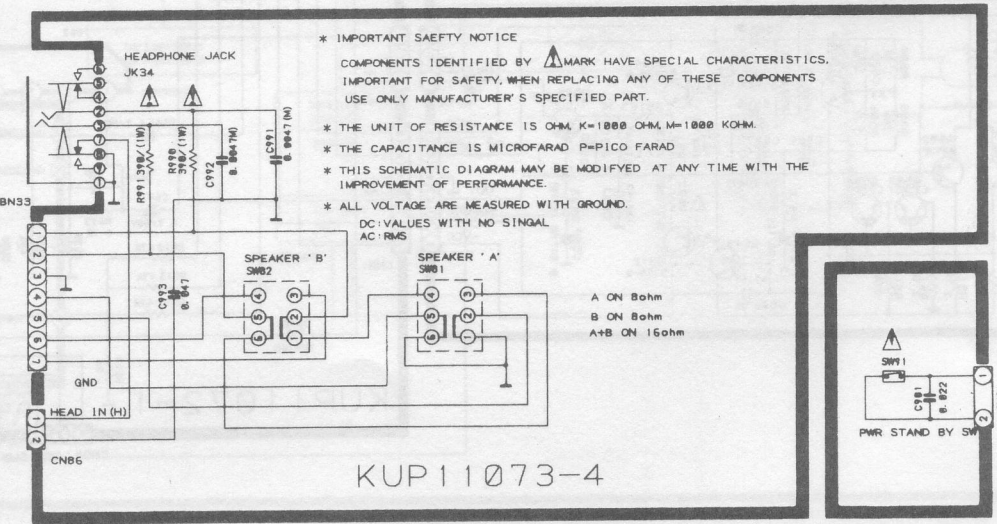
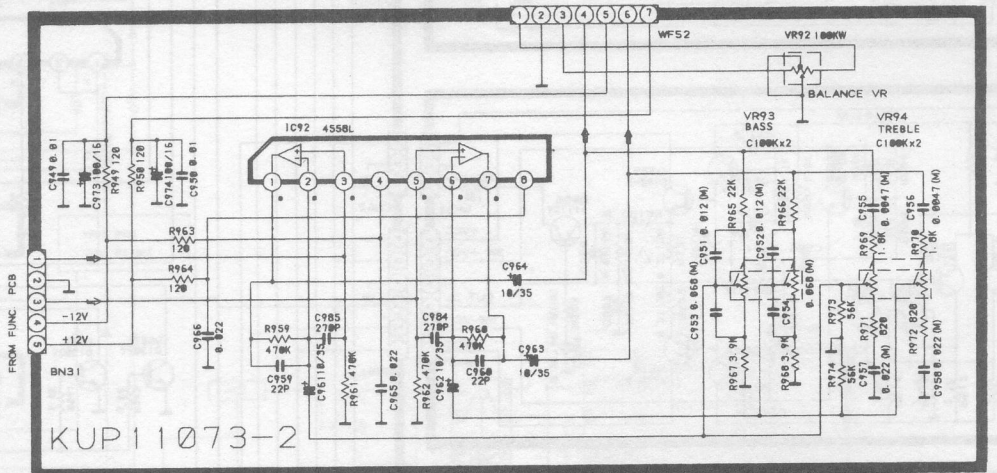
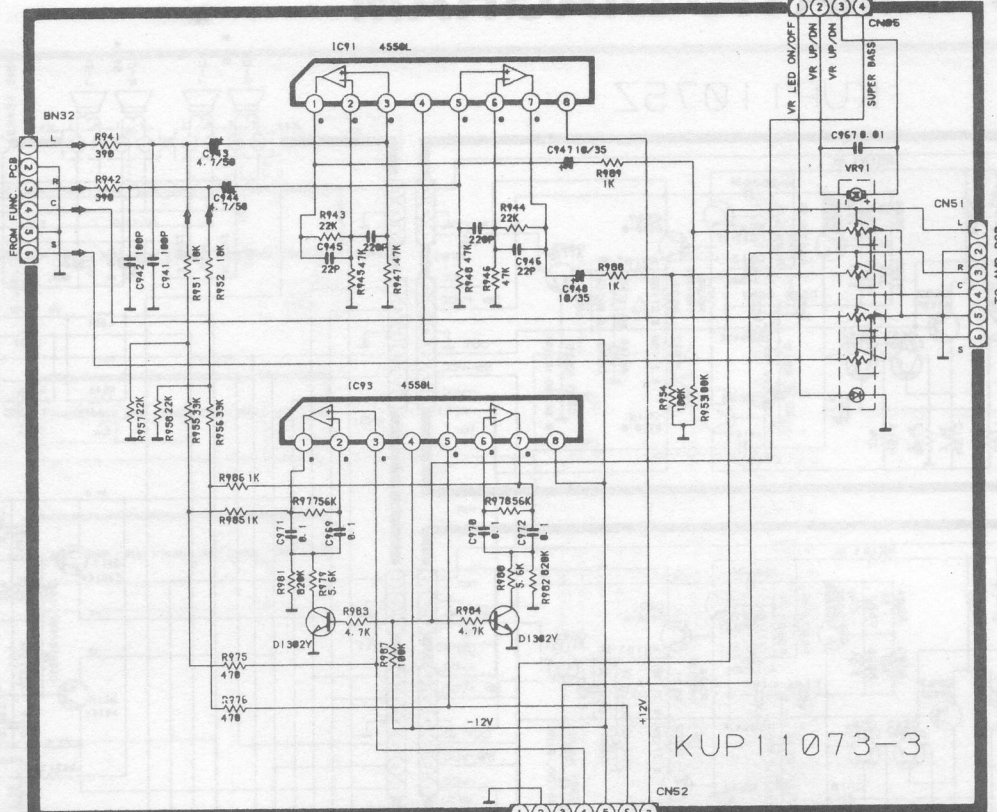
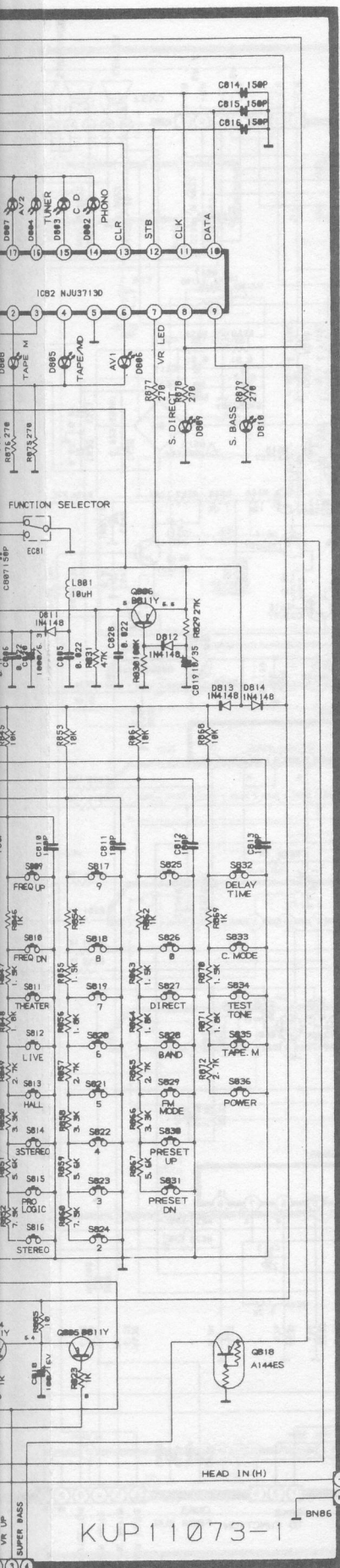
** THIS SCHEMATIC DIAGRAM MAY MODIFIED AT ANY TIME WITH THE IMPROVEMENT OF PERFORMANCE.

AA-V1100 SCHEMATIC



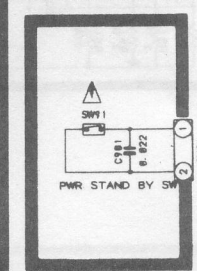
| OPTION | A | B | C | D |
|----------|---|---|---|---|
| KOREA | L | L | L | L |
| EUROPE 1 | L | L | L | L |
| EUROPE 2 | L | L | L | L |
| USA | H | L | H | H |
| AB1A | H | L | L | L |

SCHEMATIC DIAGRAM



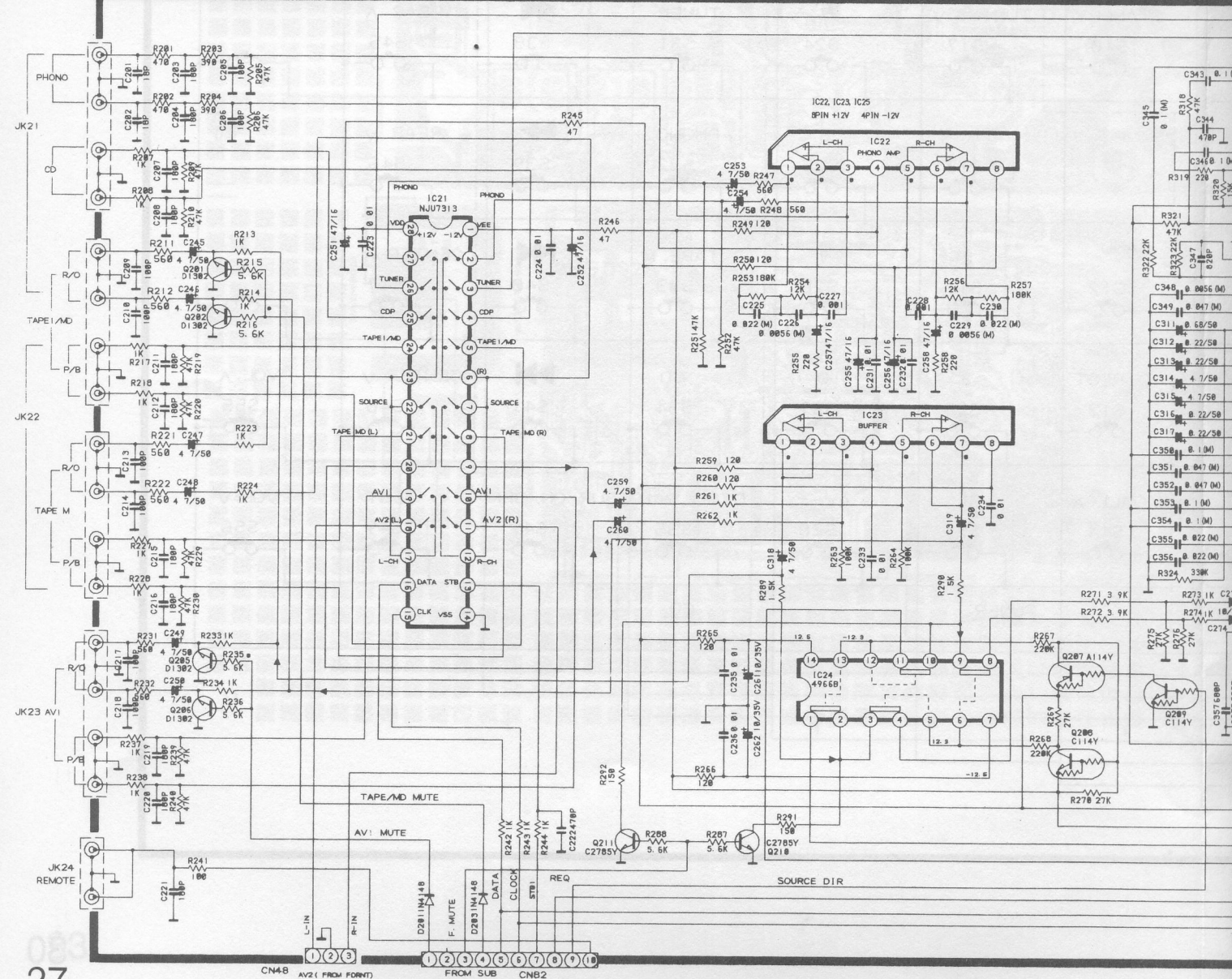
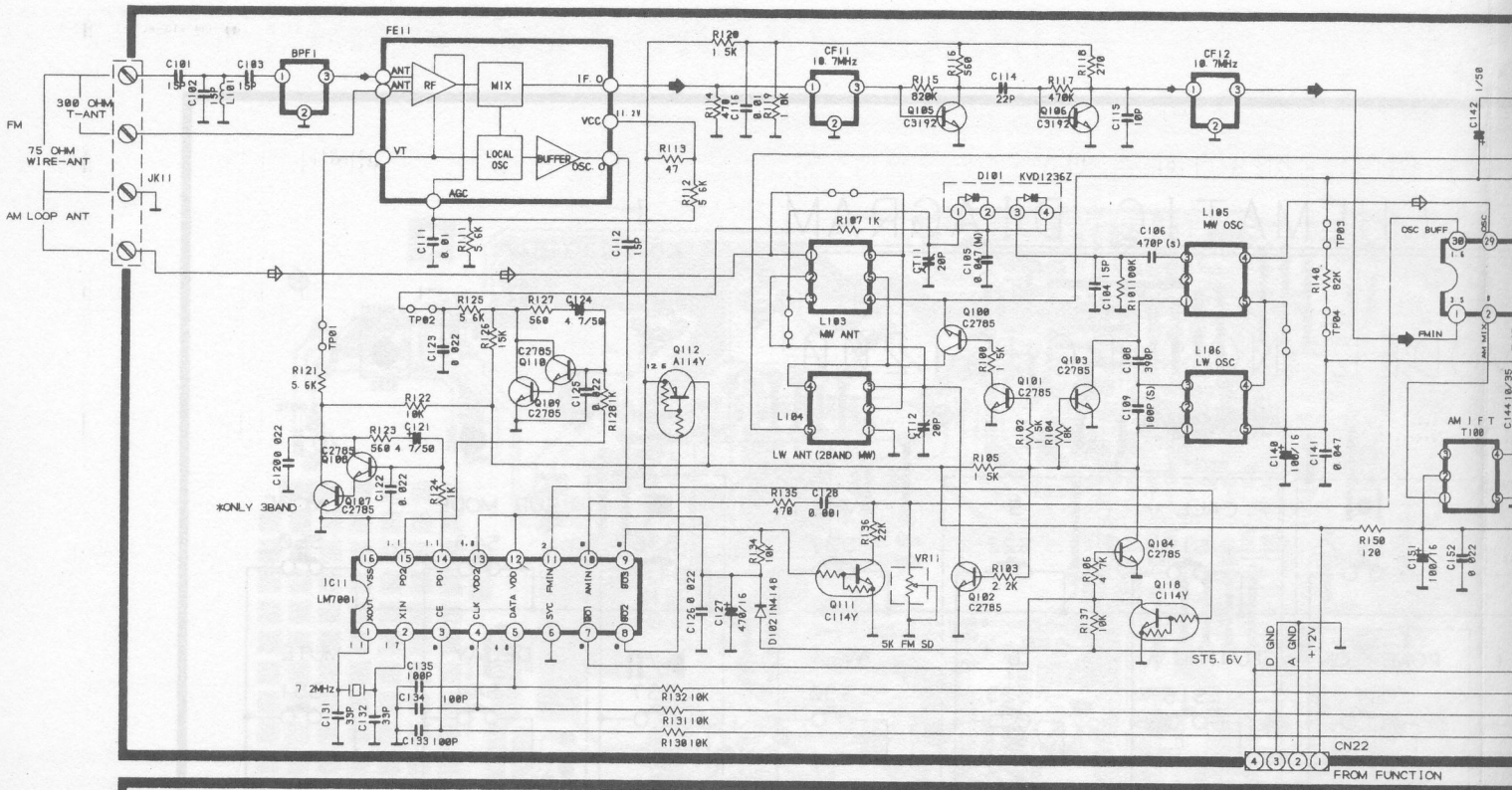
*** IMPORTANT SAFETY NOTICE**
 COMPONENTS IDENTIFIED BY Δ MARK HAVE SPECIAL CHARACTERISTICS. IMPORTANT FOR SAFETY, WHEN REPLACING ANY OF THESE COMPONENTS USE ONLY MANUFACTURER'S SPECIFIED PART.
 * THE UNIT OF RESISTANCE IS OHM, K=1000 OHM, M=1000 KOHM.
 * THE CAPACITANCE IS MICROFARAD P=PICO FARAD
 * THIS SCHEMATIC DIAGRAM MAY BE MODIFIED AT ANY TIME WITH THE IMPROVEMENT OF PERFORMANCE.
 * ALL VOLTAGE ARE MEASURED WITH GROUND.
 DC: VALUES WITH NO SIGNAL
 AC: RMS

A ON 8ohm
 B ON 8ohm
 A+B ON 16ohm

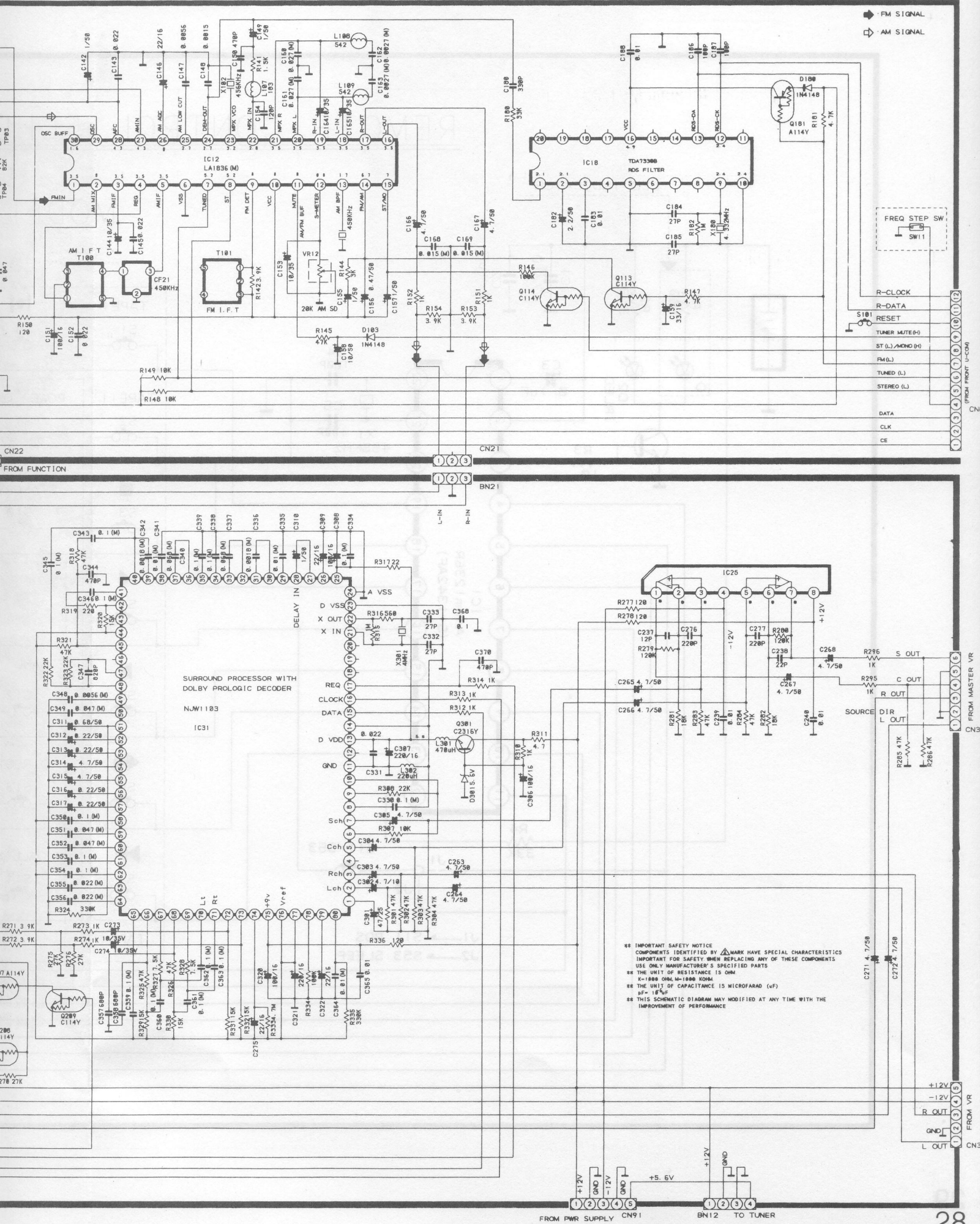


KUP11073-5

AA-V1100 TUNER & FUNC



FUNCTION SCHEMATIC DIAGRAM

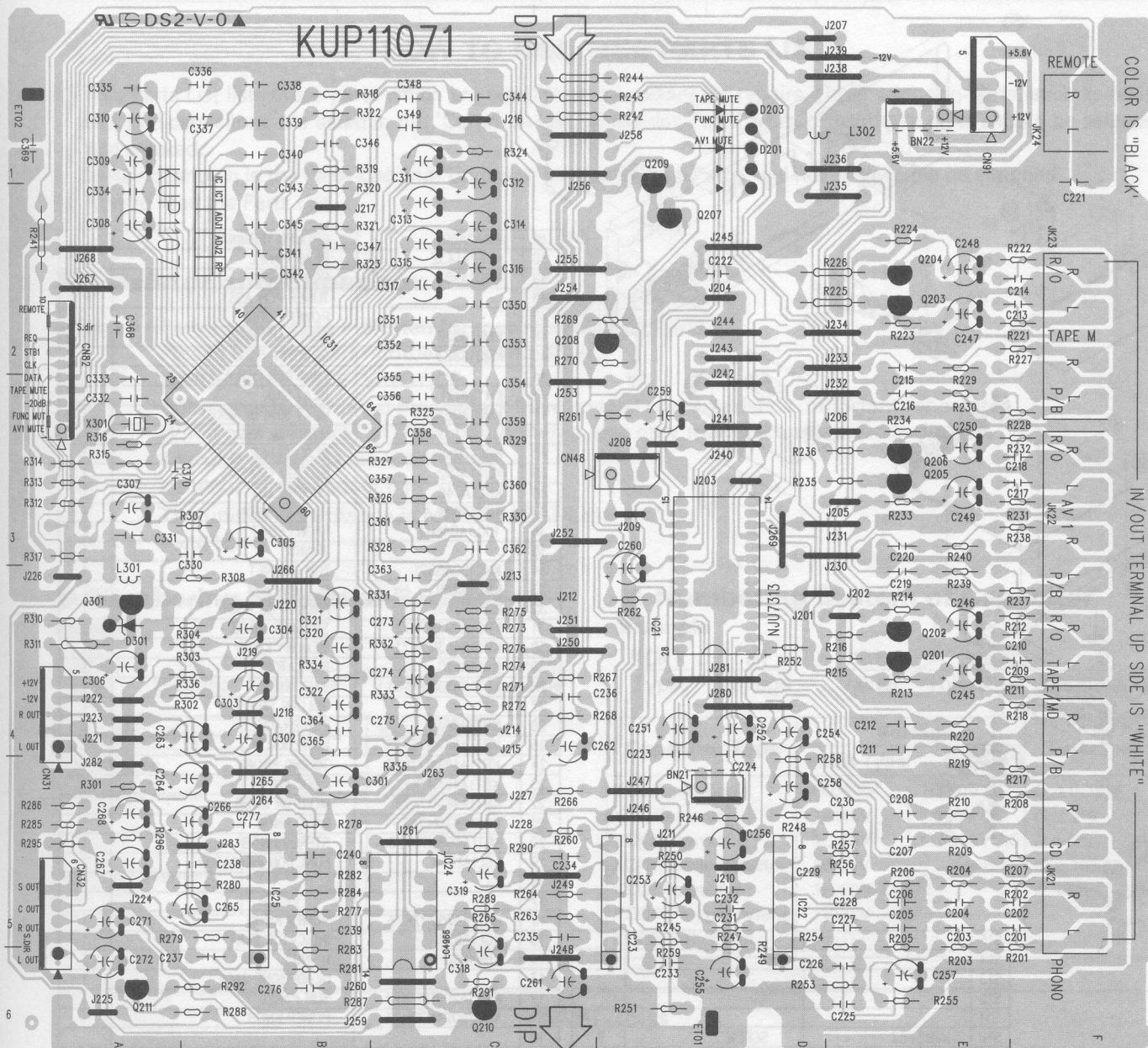


PARTS LIST

ATTENTION

AA-V1100 FUNCTION

97 12 34 56
7 8 9 10 11 12



■ ELECTRICAL PARTS LIST

| REF NO. | PART NO. | DESCRIPTION | REF NO. | PART NO. | DESCRIPTION |
|---|----------------|--------------------|---------------------|----------------|------------------------|
| P. C BOARD BLOCK PART NO. | | | BN91 | KWZAAV1100BN91 | WIRE ASS'Y |
| Part No. Description | | | BN92 | KWZAAV1100BN92 | WIRE ASS'Y |
| 1. KOP11071 FUNCTION PCB ASS'Y | | | CN33 | KJP07GB03ZM | WAFER |
| 2. KOP 11072 AMP PCB ASS'Y | | | CN51 | KJP06GA63ZY | WAFER |
| 3. KOP11073 FRONT PCB ASS'Y | | | CN52 | KJP03GA63ZY | WAFER |
| 4. KOP 11074 TUNER PCB ASS'Y | | | CN61 | KJP06GA01ZM | WAFER |
| 5. KOP 11075 TR ARRAY PCB ASS'Y | | | CN83 | KJP08GB46ZM | WAFER |
| 6. KOP 11106 REMOCON PCB ASS'Y | | | CN84 | KJP07GA01ZM | WAFER |
| FUNCTION PCB BLOCK CONSISTS FOLLOWING P.C.B | | | CN88 | KJP03GB03ZM | WAFER |
| * FUNCTION CONTROL P. C. BOARD | | | CN92 | KJP02GA61ZP | WAFER |
| * DOLBY SURROUND P. C. BOARD | | | C620 | △ KCKW2H223ZF | CAP, CERAMIC |
| AMP PCB BLOCK CONSISTS FOLLOWING P. C. B | | | C652, 653 | △ KCETS63V682 | CAP, ELECT |
| * POWER SUPPLY P. C. BOARD | | | C920 | △ KCEA1EH471E | CAP, ELECT |
| * VIDEO CONTROL P. C. BOARD | | | C922, 923 | △ KCEA1EH222E | CAP, ELECT |
| FRONT PCB BLOCK CONSISTS FOLLOWING P. C. B | | | D615 | △ BVDPBU604F | DIODE, BRIDGE |
| * μ - COM P. C. BOARD | | | IC61 | BVINJM2279D | IC, VIDEO |
| * SP SWITCH P. C. BOARD | | | IC62, 63 | BVINJM4558L | IC |
| * TONE CONTROL P. C. BOARD | | | JK51 | KJJ4P020Z | JACK, BOARD |
| * MASTER VR P. C. BOARD | | | JK91 | KJJ5P012Z | TERMINAL, SPEAKER |
| * AV2 INPUT P. C. BOARD | | | JK92 | KJJ5P013Z | TERMINAL, SPEAKER |
| * POWER SW P. C. BOARD | | | JK93 | KJJ5R003Z | TERMINAL, SPEAKER |
| 1. FUNCTION PCB | | | L601~L603 | △ KLEYK1R8KA | COIL |
| BN21 | KWZAAV1100BN21 | WIRE ASS'Y | Q914 | △ KVTKTB1366Y | T.R |
| BN22 | KWZAAV1100BN22 | WIRE ASS'Y | Q915 | △ KVTKTD2058Y | T.R |
| CN31 | KJP05GA01ZM | WAFER | RL91 | △ BSL4A004ZU | RELAY |
| CN32 | KJP06GA01ZM | WAFER | RL92 | △ KSL4B003ZW | RELAY |
| CN48 | KJP03GA01ZM | WAFER | R645~R648 | KRG1ANJ4R7H | RES, METAL, OXIDE FILM |
| CN82 | KJP10GA19ZM | WAFER | R661 | | |
| CN91 | KJP05GA01ZM | WAFER | R925~R927 | △ KRQ1AJR47H | RES, FUSH |
| ET01 | KMA2A001 | TERMINAL, GROUND | R928, 929 | △ KRG1ANJ220H | RES, METAL, OXIDE FILM |
| IC21 | BVINJU7313L | IC | W901 | KWZAAV1100W91 | WIRE ASS'Y |
| IC22, 23 | BVINJM4558L | IC | 3. FRONT PCB | | |
| IC24 | BVILC4966 | IC | BN31 | KWZAAV1100BN31 | WIRE ASS'Y |
| IC25 | BVINJM4558L | IC | BN32 | KWZAAV1100BN32 | WIRE ASS'Y |
| JK21, 22 | KJJ4R012Z | TERMINAL, IN/OUT | BN33 | KWZAAV1100BN33 | WIRE ASS'Y |
| JK23 | KJJ4P014Z | JACK, IN/OUT | BN81 | KWZAAV1100BN81 | WIRE ASS'Y |
| JK24 | KJJ4N026Z | JACK, BOARD | BN82 | KWZAAV1100BN82 | WIRE ASS'Y |
| X301 | BVFZTA4, 00MG | RESONATOR, CERAMIC | BN83 | KWZAAV1100BN83 | WIRE ASS'Y |
| 2. AMP PCB | | | BN84 | KWZAAV1100BN84 | WIRE ASS'Y |
| BK51 | KMD1A081 | BRACKET, PCB | BN85 | KWZAAV1100BN85 | WIRE ASS'Y |
| BN48 | KWZAAV1100BN48 | WIRE ASS'Y | BN86 | KWZAAV1100BN86 | WIRE ASS'Y |
| BN51 | KWZAAV1100BN51 | WIRE ASS'Y | BN88 | KWZAAV1100BN88 | WIRE ASS'Y |
| BN61 | KWZAAV1100BN61 | WIRE ASS'Y | BRK3~BRK6 | KHE170 | HOLDER, PCB |

| REF NO. | PART NO. | DESCRIPTION | REF NO. | PART NO. | DESCRIPTION |
|---------------------|----------------|-----------------------|-----------------------------|----------------|--------------------------|
| CN51 | KJP06GA01ZM | WAFER | L108, 109 | KLOB542KLZ | COIL |
| CN52 | KJP07GA63ZY | WAFER | S101 | KST1A010Z | SW, TACT |
| CN85 | KJP03GA01ZM | WAFER | T100 | KLI2B103-G | I. F. T, AM |
| CN86 | KJP03GB03ZM | WAFER | T101 | KLI3B028Z | I. F. T, FM |
| CN91 | KJP02GA89ZM | WAFER | X101 | BOX07200D320C | CRYSTAL |
| C823 | BCES5R5V104 | CAP, GOLD | X102 | BVFZTB456F11 | RESONATOR, CERAMIC |
| C901 | BCKWKC472MF | CAP, CERAMIC | X103 | BVFLZU450C4N | FILTER, CERAMIC |
| EC81 | BSR2A006Z | VR, ENCODOR | X180 | BOX04332A200C | CRYSTAL |
| FIP1 | BFLFIPCM1551D | F. I. P | | | |
| IC82 | BVINJU3713D | IC | | | |
| IC91~IC93 | BVINJM4558L | IC | | | |
| JK31 | KJJ4M012Z | JACK, VCR (S/W) | | | |
| JK32 | KJJ4M013Z | JACK, VCR (S/W) | | | |
| JK33 | KJJ4M014Z | JACK, VCR (S/W) | | | |
| JK34 | BJJ2E020E | JACK, HEAD PHON | | | |
| RS81 | BRVPNA4612M0HB | SENSOR, REMOCON | | | |
| RS81 | KRGSN5X473J | RES, NETWORK | | | |
| R991, 992 | △ KRG1ANJ391H | RES, METAL OXIDE FILM | | | |
| SW81, 82 | KSH2B017Z | SW, PUSH | | | |
| SW91 | △ KSH1A001ZV | SW, PUSH (MOMS) | | | |
| VR91 | BVVBB03A104Z | VR, MOTOR | | | |
| VR92 | BVV1T01W104Y | RES, VARIABLE | | | |
| VR93, 94 | BVV2W01C104Y | RES, VARIABLE | | | |
| WF52 | KJP07HB60ZY | HOUSING | | | |
| W802 | KWZAV350077 | WIRE, ASS'Y | | | |
| X801 | BOX08000E200C | CRYSTAL | | | |
| 4. TUNER PCB | | | | | |
| BK11 | KMD1A081 | BRACKET, PCB | | | |
| BPF1 | KVFBPMB8 | B. P. F | | | |
| CF21 | KVFSBF450BL | FILTER, CERAMIC | | | |
| CN21 | KJP03GA01ZM | WAFER | | | |
| CN53 | KJP04GA01ZM | WAFER | | | |
| CN81 | KJP12GA19ZM | WAFER | | | |
| CT11, 12 | KCRA020S12 | CAP, VARIABLE | | | |
| C106 | KCQS1H471JZ | CAP, STYROLE | | | |
| C109 | KCQS1H101JZ | CAP, STYROLE | | | |
| D101 | KVDK1236Z | DIODE | | | |
| FE11 | KNVFTA4460H | TUNER, PACK | | | |
| IC11 | BVILM7001 | IC | | | |
| JK11 | KJJ3S006Z | TERMINAL, ANT | | | |
| L101 | KLA4Y106Z | COIL, FILTER | | | |
| L103 | KLA2C004 | COIL, AM ANT1 | | | |
| L104 | KLA2B005 | COIL, LW ANT | | | |
| L105 | KL01B008Z | COIL, AM OSC | | | |
| L106 | KL01B002 | COIL, LW OSC | | | |
| L107 | KLOA183KWCZ | COIL | | | |
| | | | 5. TR ARRAY PCB | | |
| | | | Q506 | △ KVTKTD2058Y | T.R |
| | | | Q509 | △ KVTKTD9980 | T.R |
| | | | Q510 | △ KVTKTB7780 | T.R |
| | | | R520 | △ KRG1ANJ181H | RES, METALOXIDE FILM |
| | | | R521, 522 | △ KRF3CJR27H | RES, CEMENT |
| | | | R523 | △ KRG1ANJ100H | RES, METAL OXIDE FILM |
| | | | WF51 | KJP06HB60ZY | HOUSING, ANGLE |
| | | | WF52 | KJP03HB60ZY | HOUSING |
| | | | 6. REMOCON PCB ASS'Y | | |
| | | | IC10 | BVIANAM1236R | IC, REMOCON |
| | | | C101 | KCEA1EH470T | CAP, ELECT |
| | | | C102, 103 | KCBS1H104ZFT | CAP, CERAMIC |
| | | | C104, 105 | KCBS1H101KBT | CAP, CERAMIC |
| | | | D101 | KVDAL131RD | LED |
| | | | D102 | KVDAFHP52 | LED |
| | | | Q101 | KVTKTC3203YT | T.R |
| | | | R101 | KRD20TJ101T | RES, CARBON |
| | | | R102 | KRD20TJ3R3T | RES, CARBON |
| | | | R103 | KRD20TJ100T | RES, CARBON |
| | | | R104 | KRD20TJ333T | RES, CARBON |
| | | | X101 | BSB455EB1 | RESONATOR, CERAMIC |
| | | | 7. MISCELLANEOUS | | |
| | | | | KSA1A007 | AM LOOP ANT ASS'Y |
| | | | | KSA1A008 | ANT, FM WIRE |
| | | | F801 | △ KLT5R027ZE | TRANS, MAIN |
| | | | | △ KBA2C2000TLE | FUSE |
| | | | | KUR038ANA | REMOTE TRANSMITTER ASS'Y |
| | | | | (RC-S1200) | |